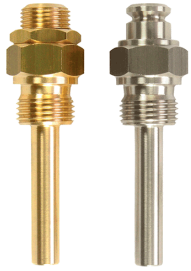


V-shaped thermometer: Thermowell

Thermometer replacements for temperatures from -60°C to 600°C.
These instruments are very tough, easy to install and reliable



STANDARD PARAMETERS

Design: **DIN 16179**

Structure: **For thermometers Straight/Angle 135° and Angle 90°**

Connection system : **Male or female thread or Bolt**

Threads: **Standard BSP, metrics or NPT**

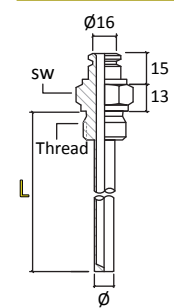
Stem length (L), including thread: **25-500mm**

Stem diameter (Ø): **Ø8, Ø10 or Ø12mm**

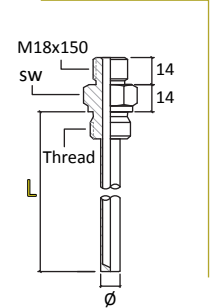
MATERIALS

Brass / Chromed or Galvanized carbon steel / Stainless steel AISI 304, 316 or 316L

Angle 90°



Straight Angle 135°



How to order

1. Model

Angle 90° **Straight** **Angle 135°**

2. Stem length in mm (L)

| | | | | | |
|----|----|-----|-----|-----|-----|
| 30 | 45 | 80 | 130 | 250 | 400 |
| 35 | 50 | 100 | 160 | 300 | 450 |
| 40 | 63 | 120 | 200 | 350 | 500 |

3. Stem diameter in mm

Ø8 Ø10 Ø12

4. Threaded connection

| | | |
|-------------|--------------|--------------|
| ½" BSP male | ¾" NPT male | M22X150 male |
| ½" NPT male | M16X150 male | M27X200 male |
| ¾" BSP male | M18X150 male | Bolt Ø16mm |
| ¾" BSP male | M20X150 male | Bolt Ø18mm |

5. Stem material

Brass
Chromed carbon steel
Galvanized carbon steel

Stainless steel AISI 304
Stainless steel AISI 316

C0302 - [1] [2] [3] [4] [5]

www.termometros.com



V-shaped thermometer: Replacement cases

Thermometer replacements for temperatures from -60°C to 600°C.
These instruments are very tough, easy to install and reliable

STANDARD PARAMETERS

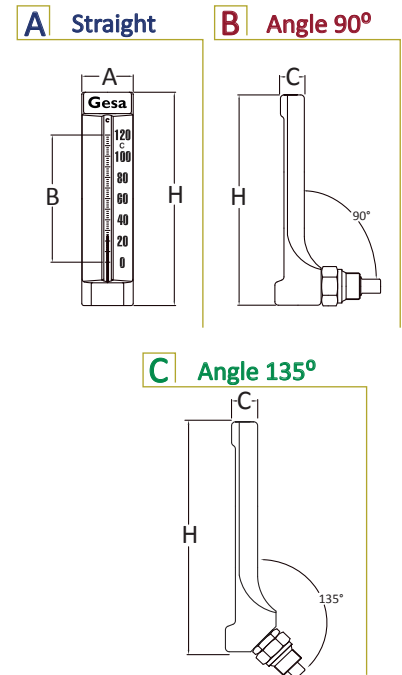
Case dimension: **110, 150 or 200mm**

Case color: **Gold or Silver**

Mounting: **Straight, Angle 90 or Angle 135**

MATERIALS

Aluminium or Polyamide



| Mounting | DIMENSIONS(mm) | | | | WEIGHT (g) | DIN |
|------------|----------------|----|-----|------|------------|-----------|
| | H | A | B | C | | |
| Straight | 110 | 36 | 60 | 17 | 230 | DIN 16181 |
| | 150 | 36 | 90 | 17.5 | 285 | DIN 16185 |
| | 200 | 36 | 130 | 17.5 | 320 | DIN 16189 |
| Angle 90° | 110 | 36 | 60 | 17 | 230 | DIN 16182 |
| | 150 | 36 | 90 | 17 | 275 | DIN 16186 |
| | 200 | 36 | 130 | 17 | 310 | DIN 16190 |
| Angle 135° | 110 | 36 | 60 | 17 | 230 | - |
| | 150 | 36 | 90 | 17.5 | 275 | - |
| | 200 | 36 | 130 | 17.5 | 310 | DIN 16191 |

How to order

1. Case dimension (H)

110
150
200

2. Case material

Aluminium
Polyamide

3. Case color

Gold
Silver

4. Mounting

A B C

5. Temperature range (°C)

| | | |
|--------|-------|-------|
| -10+50 | 0+120 | 0+400 |
| -30+50 | 0+160 | 0+500 |
| 0+60 | 0+200 | 0+600 |
| 0+100 | 0+300 | |

6. Temperature scale

Single °C
Double °C / °F

12. Logo

GESA
Without Logo

C0301 - [1] [2] [3] [4] [5]

www.termometros.com

